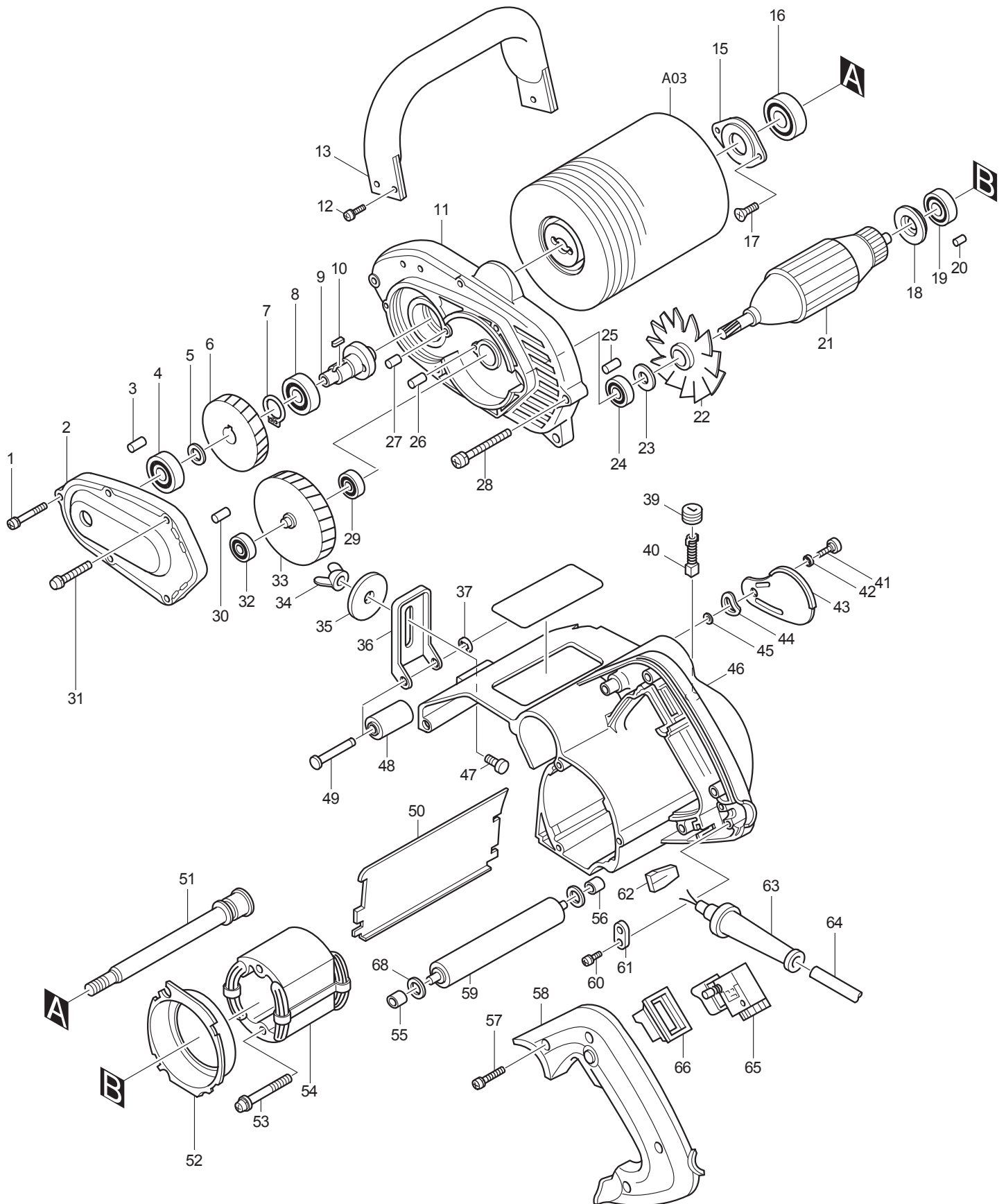




04 -2010

9741

WHEEL SANDER (W/ELECTRIC BRAKE)



Item No	Type	Ref	Part No	Description	Qty	Unit
001			911248-8	PAN HEAD SCREW M5X28	3	PC.
002			157777-9	GEAR HOUSING COVER	1	PC.
		INC.		Item No. 3, 30		
003			263002-9	RUBBER PIN 4	1	PC.
004			211101-1	BALL BEARING 6001LLB	1	PC.
005			253744-3	FLAT WASHER 12	1	PC.
006			221756-4	HELICAL GEAR 53	1	PC.
007			961055-9	RETAINING RING S-15	1	PC.
008			211236-8	BALL BEARING 6002DDW	1	PC.
009			163269-8	SPINDLE	1	PC.
010			254219-5	KEY 4	1	PC.
011			157776-1	GEAR HOUSING	1	PC.
		INC.		Item No. 25-27		
012			911218-7	PAN HEAD SCREW M5X14	3	PC.
013			273623-9	GRIP	1	PC.
015			285661-9	BEARING RETAINER	1	PC.
016			211275-8	BALL BEARING 6003DDW	1	PC.
017	2		251295-0	COUNTERSUNK HEAD SCREW M4X14 W/ADHESIVE	2	PC.
018			681625-5	INSULATION WASHER	1	PC.
019			211031-6	BALL BEARING 608LLB	1	PC.
020			263014-2	RUBBER PIN 4	1	PC.
021			512926-9	ARMATURE ASS'Y 115V	1	PC.
		INC.		Item No. 18,19,22,23,24		
022			241113-0	FAN 68	1	PC.
023			253024-7	FLAT WASHER 10	1	PC.
024			211088-7	BALL BEARING 6000DDW	1	PC.
025			263002-9	RUBBER PIN 4	1	PC.
026			263002-9	RUBBER PIN 4	1	PC.
027			263005-3	RUBBER PIN 6	1	PC.
028			911258-5	PAN HEAD SCREW M5X35	3	PC.
029			211019-6	BALL BEARING 626	1	PC.
030			263002-9	RUBBER PIN 4	1	PC.
031			911278-9	PAN HEAD SCREW M5X55	2	PC.
032			211019-6	BALL BEARING 626	1	PC.
033			153168-2	GEAR COMPLETE 64	1	PC.
034			934301-3	WING NUT M6	1	PC.
035			253196-8	FLAT WASHER 6	1	PC.
036			343434-7	DEPTH GUIDE	1	PC.
037			961018-5	STOP RING E-5	1	PC.
038			855929-3	NAME PLATE 9741	1	PC.
039			643600-9	BRUSH HOLDER CAP 6-10	2	PC.
040	2		194982-7	CARBON BRUSH CB-124 2PC/SET (W/ ORIGIN)	1	SET
041			251323-1	+ PAN HEAD SCREW	1	PC.
042			253308-3	THIN WASHER 6	1	PC.
043			343436-3	COVER PLATE	1	PC.
044			253980-1	WAVE WASHER 14	1	PC.
045			253874-0	FLAT WASHER 4	1	PC.
046			157992-5	HOUSING	1	PC.
		INC.	643609-1	BRUSH HOLDER 6-10	2	PC.
		INC.		Item No. 20,56		
		INC.	816697-3	INDICATION LABEL	1	PC.
		INC.	817963-1	CAUTION LABEL	1	PC.
047			251919-8	CAP SQUARE NECK BOLT M6X20	1	PC.

Item No	Type	Ref	Part No	Description	Qty	Unit
048			162134-8	FRONT ROLLER	1	PC.
049			256655-1	PIN 7	1	PC.
050			343435-5	PLATE	1	PC.
051			322071-0	ARBOR	1	PC.
052			410957-1	BAFFLE PLATE	1	PC.
053			911285-2	PAN HEAD SCREW M5X60	2	PC.
054			522686-5	FIELD ASS'Y 115V	1	PC.
		INC.	654019-7	RING TERMINAL	1	PC.
		INC.	654501-6	CONNECTOR P-1.25	1	PC.
055			262515-7	SLEEVE 6	1	PC.
056			262515-7	SLEEVE 6	1	PC.
057			911153-9	PAN HEAD SCREW M4X28	4	PC.
058			410954-7	HANDLE COVER	1	PC.
059			162133-0	ROLLER	1	PC.
060			911133-5	PAN HEAD SCREW M4X18	2	PC.
061			687002-9	STRAIN RELIEF	1	PC.
062			423096-8	SPONGE SEAL	1	PC.
063			682502-4	CORD GUARD 8-85	1	PC.
064			660023-6	CORD W/PLUG 2P-18-5.0M, SJ	1	PC.
065			651332-4	SWITCH SGEL210R-4	1	PC.
066			421323-7	SWITCH COVER	1	PC.
068			941152-7	FLAT WASHER 6	2	PC.

#### **ACCESSORIES**

A01			P-80014	JOINT	1	PC.
A02			783204-6	HEX. WRENCH 6	2	PC.
A03			794379-6	NYLON BRUSH WHEEL 120-100	1	PC.
A04			794383-5	NYLON BRUSH WHEEL 120-240	1	PC.
A05			794381-9	COTTON BUFF WHEEL 120	1	PC.